

Westire ANSI/NEMA Socket & Bracket Kit

ACCESSORIES

Accommodates all ANSI/NEMA
twist-lock sockets for wall or
pole mounting a photocell



Applications

The Westire **ANSI/NEMA Socket & Bracket Kit** is designed for wall or pole-mounted photocell installations. It is ideal for outdoor lighting applications where photocell mounting on walls and streetlight poles or wooden poles is required.

For convenient installation, the Westire ANSI/NEMA Socket & Bracket Kit includes the ANSI/NEMA socket, gasket, fastening screws, IP67-rated cable sealing grommet, and a cable in standard or custom lengths.

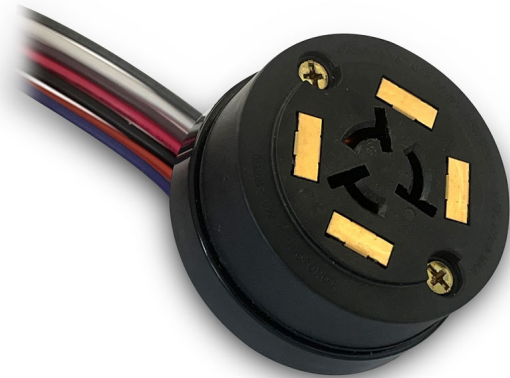
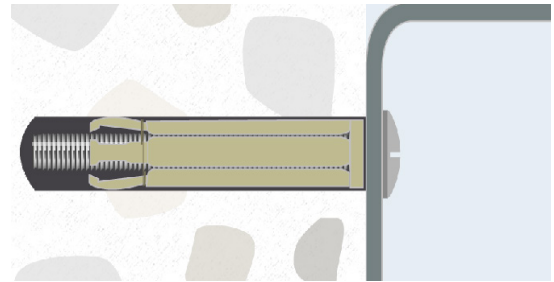
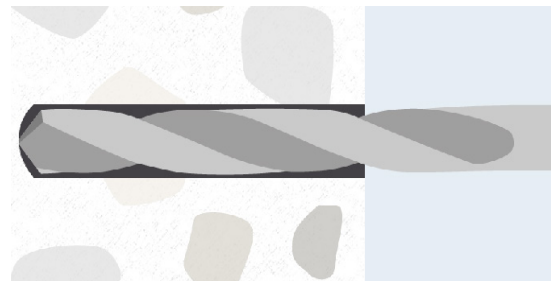
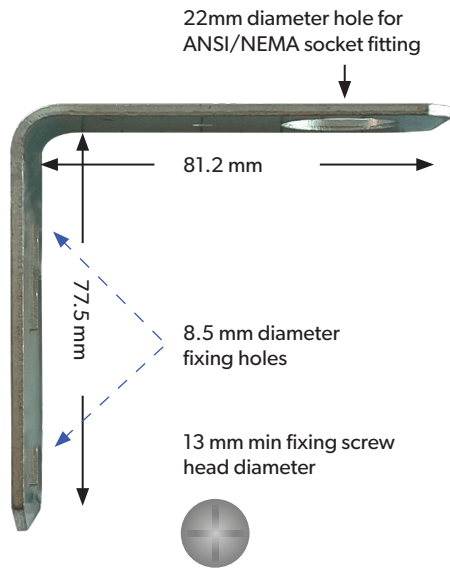
Technical Specification

Socket Specification

Voltage	600V AC/DC
Load Current	15 Amps
Operating Temperature	-40° C to +80° C -40° F to +176° F
Socket Pins	3 or 7
Socket Pads	ANSI C136-41

Bracket Specification

Bracket Material	Zinc Plated Steel
Cable Sealing	IP67
Material Specification	UL94V-0 Flame Retardancy
Cable Length	Up to 8 m



7 pin NEMA socket for fitting into the wall mounting basket