

# Westire Mains Power Tap

## Power Tap

The market's most versatile method of providing mains power to outdoor devices via streetlights, delivering auxiliary power to third-party equipment through the luminaire's ANSI/NEMA receptacle



## Simple to install:

1. Remove the photocell from the ANSI/NEMA socket and insert the power tap.
2. Insert the removed photocell back into the power tap's own ANSI/NEMA socket.
3. Connect the power tap's cable and an in-line RCD to the auxiliary device requiring the supply

## Features & Benefits

- Ideal for the supply of temporary mains power
- Powering of **smart IoT devices** utilising streetlights
- Supplying power to **festive, amenity** or **security lighting**
- External easy to access fusing, **protecting auxiliary equipment**
- Supplied with cable lengths of **2 meters standard**, other lengths available on request
- Designed to meet water and dust tight rating of **IP65**



General		Power	
Dimensions	113 mm (H) x 83 mm (W) 4.45" x 3.27"	Mains Supply	105 to 480 V AC 50/60Hz
Warranty	5 years	Max Load Current	10 A
Cable Length	2 meters standard	Fusing	10 A optional
Power Tap Receptacle	Designed to BS5972 & ANSI C136.41		
Connecting pins	Designed to BS5972 & ANSI C136.10		
Environmental		RCD Unit	
Operating Temperature	-20° C to +80° -4° F to +176° F	RCD Power	3250 W RCD
Power Tap Enclosure Material & Sealing	UV stabilized polycarbonate sealed to IP65	RCD Trip Speed	< 40 ms
		RCD Max Current	13 A
		RCD Trip Current	30 mA
		RCD Enclosure Protection	IP66

## Westire Power Tap Kit

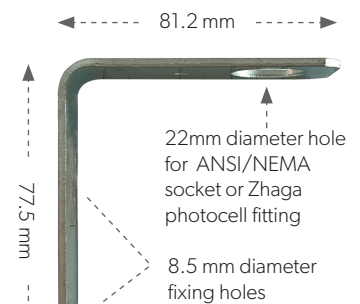
**Westire AC Power Tap**



**Westire ANSI/NEMA Socket & Bracket**



**ANSI/NEMA Wall or Pole Mounting Bracket Dimensions**



Manufactured in-house using only high-quality name brand components, Westire products are renowned in the industry for their unparalleled quality and reliability